



CURTIS

# Microprocessor Motor Speed Controllers

## Model 1232E



CE 



# Model 1232E



## AC Induction Motor Controller

A significant enhancement to the Curtis AC family, The 'E' models utilize a powerful dual-microprocessor logic architecture to provide improved performance and surpass the requirements of the latest international functional safety standards.

The Curtis model 1232E provides advanced control of AC induction motors performing on-vehicle traction drive or hydraulic pump duties and offers the highest levels of functional safety.

The Curtis Model 1232E is intended for use as the traction controller on class 3 material handling 'walkies' and other small industrial trucks. It is equally suitable as the pump controller for auxiliary hydraulic functions on larger industrial vehicles.

### ONLY CURTIS AC CAN OFFER:

- ▶ **Curtis VCL™—Vehicle Control Language** is an easy to use programming language that allows vehicle developers to write powerful logic functions and create a 'virtual system controller'. Curtis offers customers VCL development tools and training. Curtis also provides a VCL service where Curtis engineers will work with the OEM to create any custom VCL code required.
- ▶ **Indirect Field Orientation (IFO) vector control** algorithm generates the maximum possible torque and efficiency across the entire speed range. Advanced Curtis IFO vector control provides superb drive 'feel', improved speed regulation and increased gradeability.
- ▶ **Curtis Auto-Tune** function enables quick and easy characterization of the AC motor without having to remove it from the vehicle. Curtis AC controllers are fully compatible with any brand of AC motor.
- ▶ **Dual-Drive functionality** is standard, allowing correct control of applications featuring twin traction motors. This function ensures smooth and safe operation, minimal tire wear and correct load sharing between the traction motors at all times.
- ▶ **Configurable CANbus** connection allows communication with other CANbus enabled devices. Model 1232E is CANopen compatible and provides 20 VCL-configurable CAN 'mailboxes', 6 more than earlier Curtis AC controllers.
- ▶ **Integrated System Controller**—More than just a motor controller, it is also powerful system controller. It features a comprehensive allocation of multi-function I/O pins for use as analog inputs, digital inputs, contactor coil drivers and proportional valve drivers. In addition to this local I/O, this controller can use VCL to map and configure the remote I/O available on other CANbus devices, send messages to CAN displays and thus control and monitor the entire system.

See a 360° view of Model 1232E at:  
[curtisinstruments.com/360view](http://curtisinstruments.com/360view)



# Model 1232E

## AC Induction Motor Controller



### FEATURES

#### Increased Performance, Improved Functionality

- ▶ Higher performance form, fit and functional replacements for earlier Curtis Model 1232 AC controllers.
- ▶ CE marked as a programmable safety device under EN ISO 13849-1.
- ▶ Models available from 175A–250A output at 24–80V system voltages.
- ▶ Enhanced 64MHz micro and additional FLASH memory doubles the available VCL code space and provides more than twice the VCL execution speed.
- ▶ Six additional VCL-configurable CAN ‘mailboxes’ significantly increases CAN master capabilities.
- ▶ Advanced Pulse Width Modulation techniques produce low motor harmonics, low torque ripple and minimized heating losses, resulting in high efficiency.

#### Unmatched Flexibility

- ▶ Programmable for either traction or pump applications.
- ▶ Field upgradeable software.
- ▶ Integrated Battery state-of-charge algorithm and hour meters.
- ▶ Fully-featured generic software and VCL for typical Warehouse Truck applications is included.
- ▶ Comprehensive programming options and VCL allow other applications to be easily supported.
- ▶ Curtis hand-held or PC Windows programming tools provide easy programming and powerful system diagnostic tools.
- ▶ Integrated status LED provides instant diagnostic indication.

#### Robust Safety and Reliability

- ▶ Dual Microprocessor architecture cross-checks critical circuits, logic, and software functions to ensure the highest possible functional safety performance level is achieved.
- ▶ Insulated metal substrate power-base provides superior heat transfer for increased reliability.
- ▶ Fail-Safe power component design.
- ▶ Reverse polarity protection on battery connections.
- ▶ Short circuit protection on all output drivers.
- ▶ Thermal cutback, warning, and automatic shutdown provide protection to motor and controller.
- ▶ Rugged sealed housing and connectors meet IP65 environmental sealing standards for use in harsh environments.

#### Meets or Complies with Relevant US and International Regulations

- ▶ EMC: Designed to the requirements of EN12895.
- ▶ Safety: Designed to the requirements of EN1175-1:1998+A1:2010 EN (ISO) 13849-1
- ▶ IP65 rated per IEC 60529.
- ▶ UL recognized per UL583.
- ▶ Regulatory compliance of the complete vehicle system with the controller installed is the responsibility of the vehicle OEM.



# Model 1232E

## AC Induction Motor Controller



### FUNCTIONAL SAFETY DATA

Safety Function	PL	Designated Architecture	MTTFd	DC
Uncommanded Powered Movement	d	Category 2	≥40 yrs	≥90%
Motor Braking Torque	c	Category 2	≥16 yrs	≥90%

### MODEL CHART

Model	Battery Voltage (V)	2 Minute RMS Current Rating (A)	S2-60 Min RMS Current Rating
1232E-212X	24	180	90
1232E-232X	24	250	125
1232E-512X	36-48	150	75
1232E-522X	36-48	200	100
1232E-622X	48-80	175	80
1232E-722X	72-96	175	80

### SYSTEM ACCESSORIES



#### The Curtis Model 840 LCD

Multifunction display contains 8 large, easy to read characters to provide display of battery discharge (BDI), hour meter and error messages. Built-in backlight is also available.



#### The Curtis model 1352 CANbus I/O

expansion module features 9 I/O pins, including 6 proportional valve drivers. This module can be used to further expand the I/O capability of Curtis AC motor controllers using VCL.



#### The Curtis Model 1313 Handheld Programmer

is ideal for setting parameters and performing diagnostic functions.

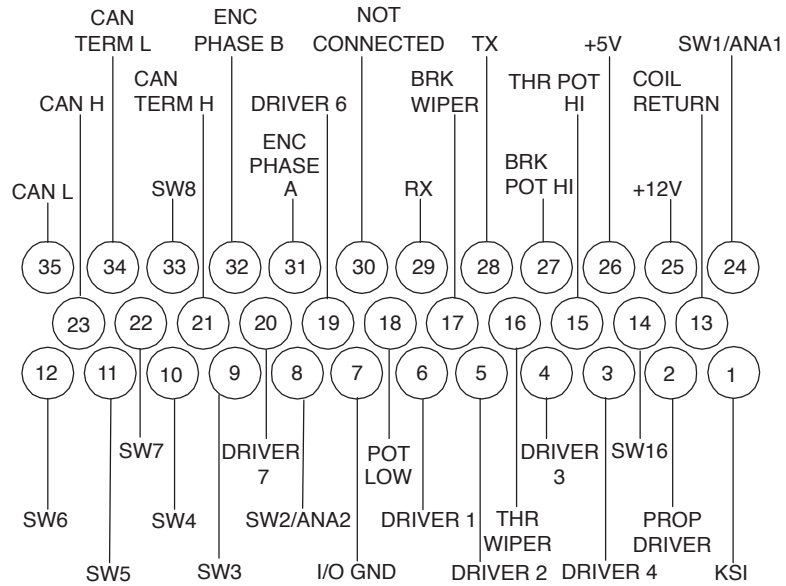
Contact Curtis to obtain the VCL Vehicle Control Language compiler and development tools.

# Model 1232E

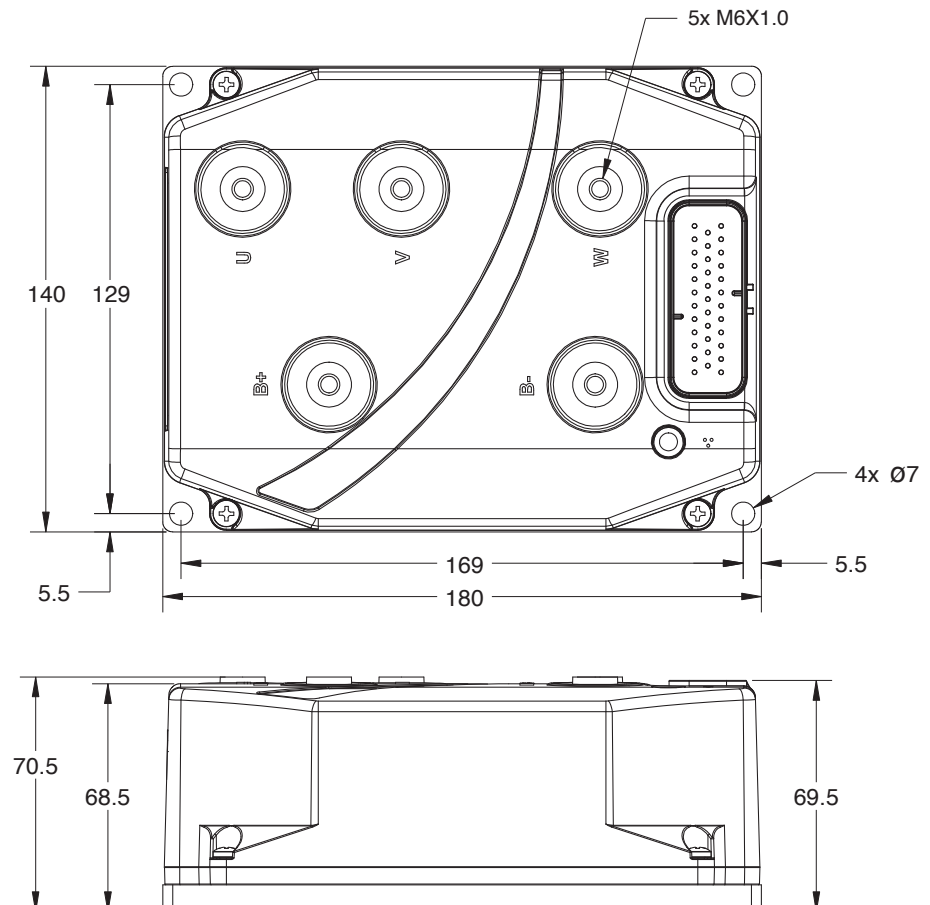
## AC Induction Motor Controller



### CONNECTOR WIRING



### DIMENSIONS mm (typical)

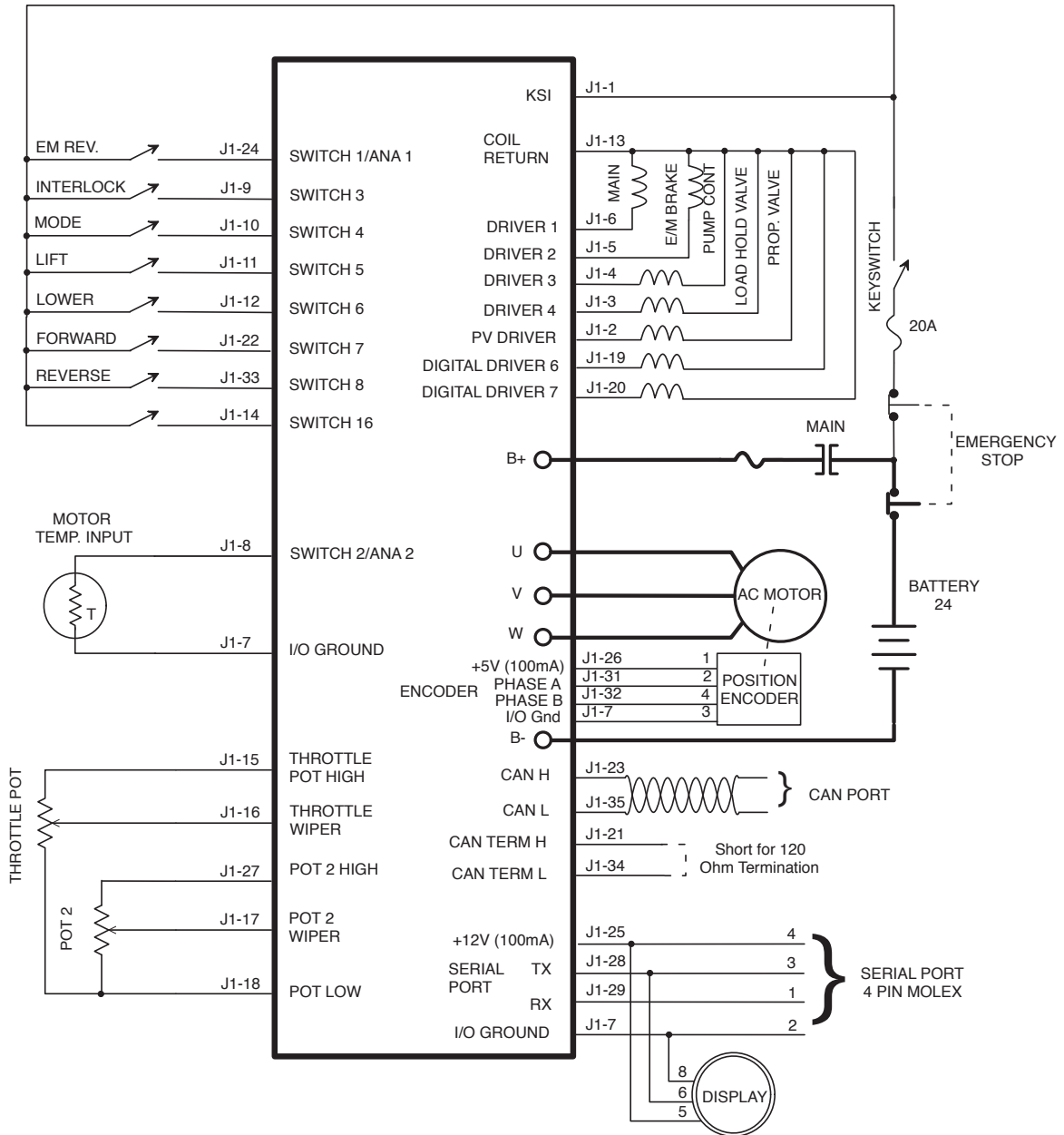


# Model 1232E

## AC Induction Motor Controller



### TYPICAL WIRING



**WARRANTY** Two year limited warranty from time of delivery.

The Curtis Difference  
 You feel it when you drive it



is a trademark of Curtis Instruments, Inc.

Specifications subject to change without notice

©2016 Curtis Instruments, Inc.

50209 REV E 9/16