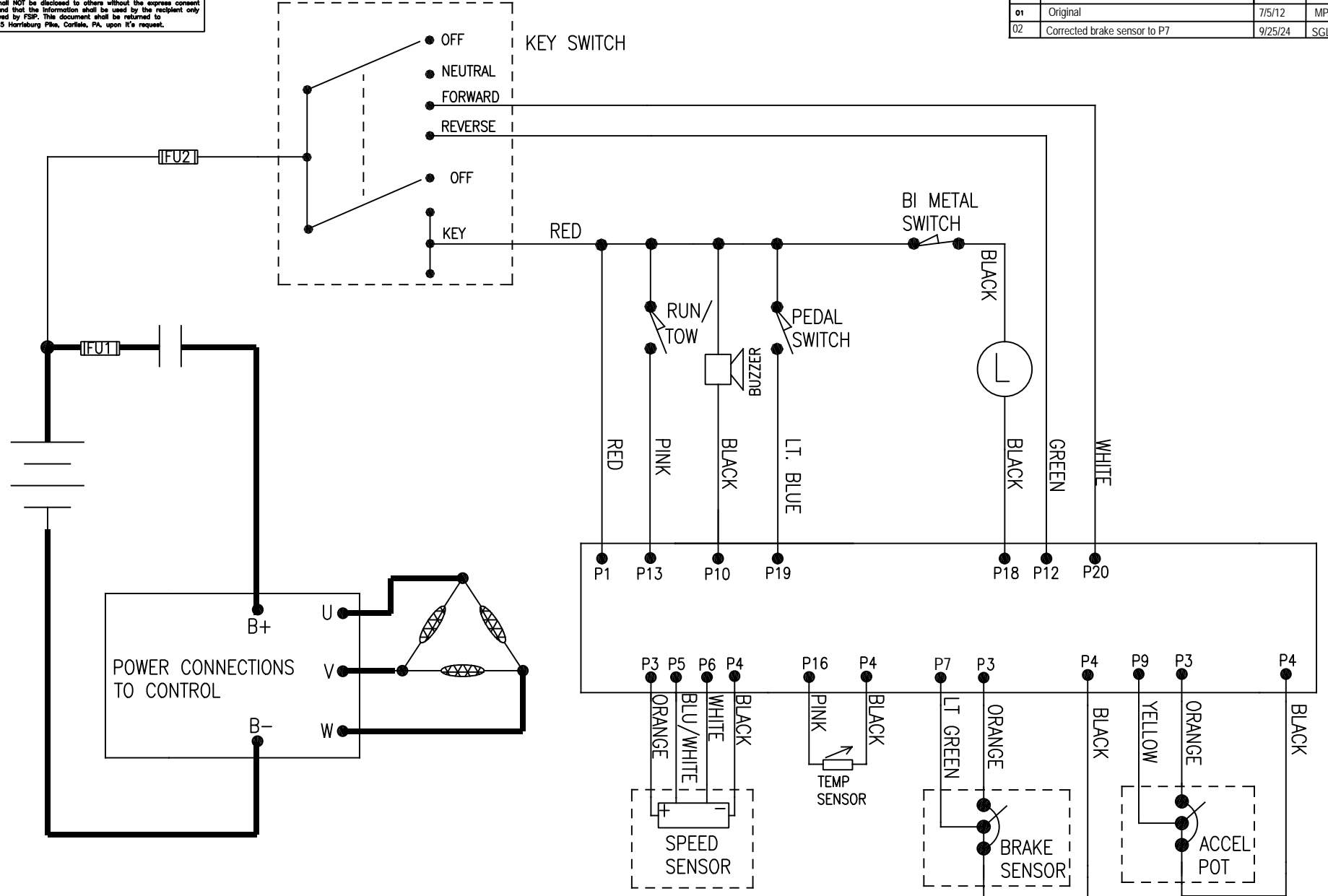


**PROPRIETARY AND CONFIDENTIAL**  
 This document is the property of Flight Systems Industrial Products and contains proprietary and confidential information. This document is loaned on the express condition that the information contained herein shall NOT be disclosed to others without the express consent of FSIP and that the information shall be used by the recipient only as approved by FSIP. This document shall be returned to FSIP, 1015 Harrisburg Pike, Carlisle, PA, upon it's request.

REVISIONS			
REV	DESCRIPTION	DATE	APPROVED
01	Original	7/5/12	MP
02	Corrected brake sensor to P7	9/25/14	SGL



● MOTOR CONNECTIONS

\*CUSTOMER SUPPLIED

**FSIP**  
 FLIGHT SYSTEMS  
 INDUSTRIAL PRODUCTS  
 1015 HARRISBURG PIKE  
 CARLISLE PA 17013  
 PHONE 717-254-3747 FAX 717-254-3777

TITLE  
**83-83A21102A**  
**Danaher RXV**

DRAWN M. POTTER	DATE 7/05/12	SIZE C	FSCM NO.	DWG NO. Danaher RXV	REV 02
CHECKED	DATE	SCALE		SHEET	