

# WINDOWS PC SOFTWARE TOOL FOR CURTIS PROGRAMMABLE DEVICES



CURTIS

MODEL 1314 – VERSION 4



## DESCRIPTION

The 1314 Windows PC Software Tool provides comprehensive and intuitive PC based programming, monitoring and system diagnostics for all Curtis programmable motor speed controllers and control systems.

## APPLICATION

The 1314 Windows PC Software Tool is intended for use by vehicle OEMs, dealers, and service engineers. It provides a powerful Windows interface for adjusting settings, troubleshooting, and recording the parameters of any Curtis speed controller or auxiliary device.

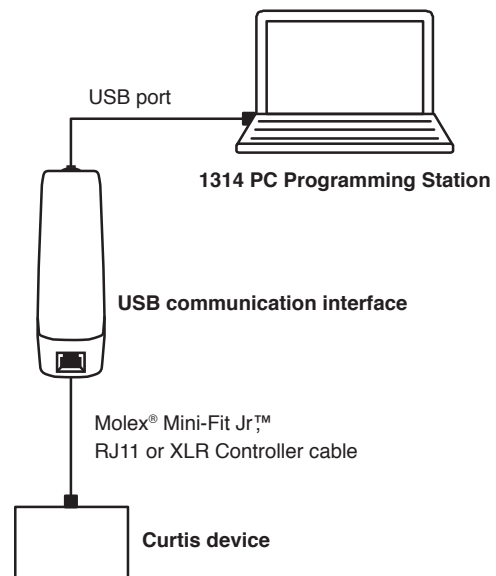
## FEATURES

- View and adjust controller programmable parameters.
- Real-time monitoring of system variables such as voltage, temperature, and current.
- Saves all data – parameter values, monitor values, history logs etc., in a single file.
- Edit, rename, export or print files online or offline.
- Clone data between controllers.
- View active fault codes and system timers.
- View and clear controller fault history log.
- Online help and automatic update function (with active internet connection).

## SYSTEM REQUIREMENTS

The minimum requirements for the PC Hardware are:

- Processor Pentium III 833MHz
- Windows® XP/Vista/7
- 512MB memory (1024 recommended)
- USB port



[www.curtisinstruments.com](http://www.curtisinstruments.com)

# MODEL 1314 – VERSION 4

## MODEL CHART

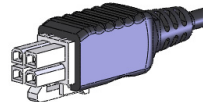
Model Number	Part Number	Description	Comments
1314K-4401	17748700	OEM	Kit includes CD-ROM, USB interface, Molex cable and RJ11 cable
1314K-3301	17748701	Dealer	Kit includes CD-ROM, USB interface, Molex cable and RJ11 cable
1314K-2201	17748702	Service	Kit includes CD-ROM, USB interface, Molex cable and RJ11 cable
1314K-1101	17748703	User	Kit includes CD-ROM, USB interface, Molex cable and RJ11 cable

### Cable Options Part Number

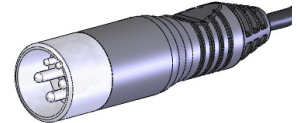
Cable RJ11	98955
Cable 4-Pin Molex	16185
Cable XLR	36378005



RJ11



4-Pin Molex



XLR

## TYPICAL PROGRAMMING SCREENS

Name	Value	Unit
<b>Program</b>		
Multimode Functions		
M1 Forward Max Speed	1	rpm
M2 Forward Max Speed	1	rpm
M1 Reverse Max Speed	1	rpm
M2 Reverse Max Speed	1	rpm
Hydraulic Functions		
Lift Lockout Enable	On	
Lift Lockout BDI	20	%
Hydraulic Inhibit	On	
Lower Valve PWM	100	%
HourMeter Preset		
10s of Hours	0	
Remaining HRs in Mins	0	
Preset Total Hourmeter	Off	
Preset Traction Hourmeter	Off	
Preset Pump Hourmeter	Off	
Battery		
Reset Volts Per Cell	2.090	Volt
Full Volts Per Cell	2.040	Volt
Empty Volts Per Cell	1.730	Volt
Discharge Time	34	Minutes
BDI Reset Percent	75	%

**WARRANTY** Two year limited warranty from time of delivery.